



TORSION SPRINGS

Helical torsion springs can either have a left-hand or right-hand helix. They are designed to give a torque when one end of the spring is turned relative the other.

Our helical torsion springs are made in dimensions from 0.03 up to 25 mm and we can support you with in-depth knowledge of, materials, design, spring properties and prototyping for your project.

Standard catalogue torsion springs

Our two standard categories, single body (left and right coiled) and double body springs solve most needs, if you are looking for torsion springs in the light to medium range. Using standard spring items at the beginning of a development project saves time and money. Our standard range cover torques from 9 to 25,075 Nmm.

As always, we can help you if you need springs that are not found in the Spring Catalogue.

Custom torsion springs

The torsion springs made by the Lesjöfors Group have properties in line with the requirements for the application concerned. Various kinds of materials and ends are available, note that the springs should always be loaded so the body diameter decreases. With our modern machines most types of end shapes can be formed automatically.

Facts

- The Lesjöfors group make torsion springs from 0.10 up to 25 mm material size
- The toughness of the metal and material cross section gives a minimum limit for the bend radius.
- In most cases, our standard spring items can be used at the start of a development project



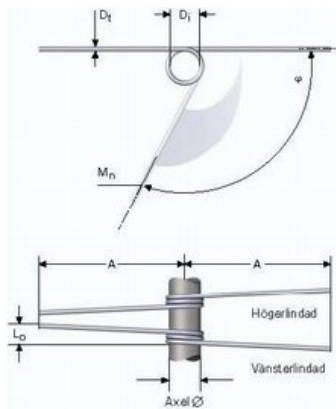
VRIDEFJÄDRAR

End design of our torsion springs

Torsion springs designed for your needs

The end design of your torsion spring is determined by the possibilities in your application. Lesjöfors can offer any conceivable end design and can if necessary even design completely new custom end forms.

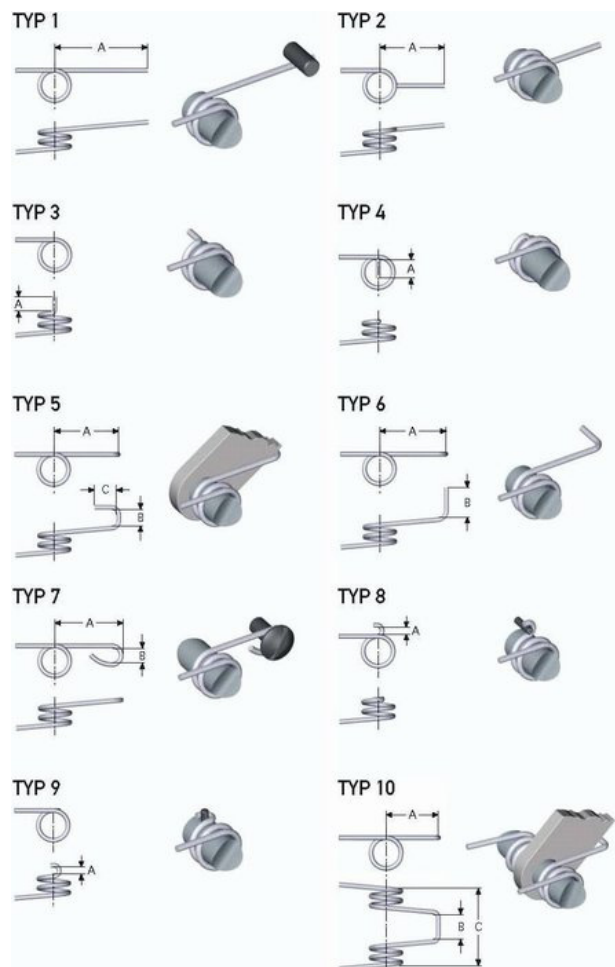
Stress induced in the end form as well as the body of the spring should be taken into account in the spring design, in addition it can be affected by factors such as friction, resonance phenomena and the degree of support to the spring body.



The Lesjöfors Group has a unique combination of the most advanced, up-to-date technical equipment and highly skilled spring experts. That gives us the advantage of offering the most complete technical competence and capability there is.

The Lesjöfors Group continuously invests in the newest manufacturing technology. To be able to meet the highest product performance, we are also constantly improving our leading edge skills.

We produce the entire range of torsion springs in several of our factories. This manufacturing structure provides a unique crisis risk reduction and delivery security that is unique.



Facts

- Customized end designs are commonly used
- Helical torsion springs are normally mounted with inner or outer body support, this spring type must be mechanically supported at minimum of three points.
- The torque is the multiple of the end length and the load at the end.

LESJÖFORS
SPRINGS & PRESSINGS

[Click to get Contact information](#)