



GAS SPRINGS

The gas spring is a spring type with unique spring characteristics. Its controlled motion often makes it suitable for applications with high demands on ergonomics and operator safety.

Typical areas of use include controlled opening and closing of doors and hoods, but our gas springs can also be used for elegant lifting, positioning or balancing of almost anything. Even really heavy items can be lifted by hand with the help of a gas spring.

Standard

Lesjöfors can, thanks to our large customer base, stock a range of nearly 800 gas springs and 100 different end fittings and accessories. This allows us to quickly deliver combinations that suit your needs. The force range of our standard selection is between 40 and 2000 N, with a stroke of between 20 and 500 mm. The parts are available as 3D CAD models on our website.

Product selection standard

- Conventional type gas springs with hydraulic damping
- M6/M8 threads for end fittings or alternatively welded loops
- Gas springs in acid-proof, stainless steel for corrosive environments, pharmaceutical industry, food industry, medical equipment or other demanding environments
- Gas springs with a force reduction function
- Gas springs with a safety lock
- Lockable gas springs with variable locking position

Facts

- Unique spring characteristics ensure controlled movements
- Almost 800 standard items in stock - order today, assemble tomorrow
- Stainless steel, force reduction, safety lock and variable locking position are features and functions that you'll find in our standard selection



GAS SPRINGS

Customized gas springs

Lesjöfors has decades of experience of selecting the right type of gas spring for every need and if necessary to fine tune its properties. This means that we are the complete partner to involve from the design stage onwards.

Special features

If our wide standard selection does not cover a certain force or otherwise does not meet your specific requirement, we are happy to offer the following:

- Customized strokes, lengths and forces
- Customized stroke movement/damping characteristics
- Optional cylinder colour (standard is black paint).
The piston rod is also available in chrome instead of black
- Optional mounting. Alternative connection types and/or special end fittings

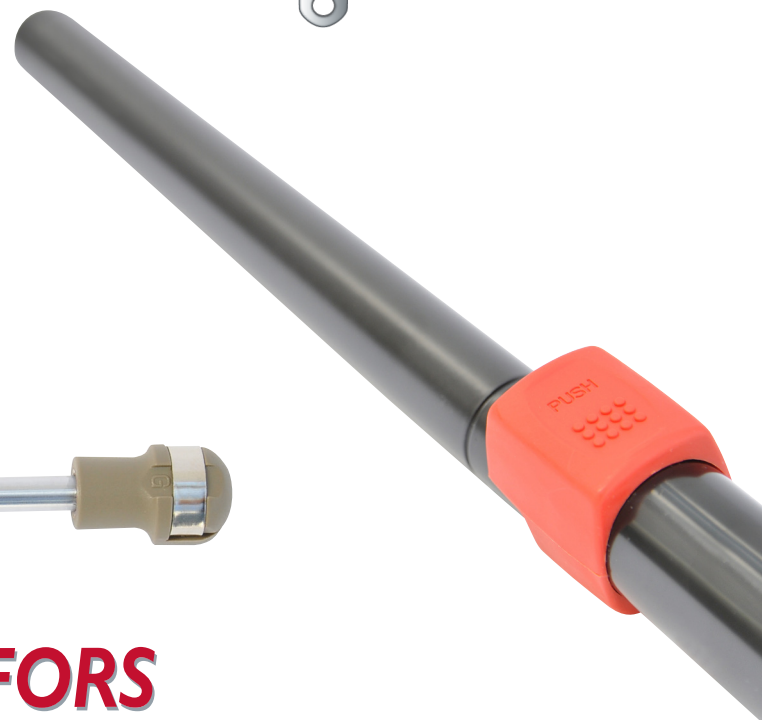
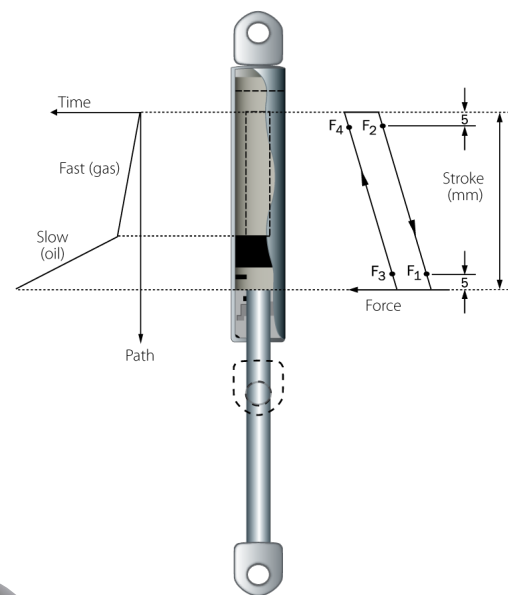
Special product types

Lesjöfors can also supply the following product types that are not represented in our standard selection.

- Gas springs with dynamic damping. A longitudinal groove on the inside of the cylinder controls the speed of the stroke and can be adapted for different operating requirements.
- Lockable gas springs with different locking characteristics.
- Dampers which can for instance be used to slowly close a falling hatch.

Facts

- Lesjöfors supports you throughout the process of developing a customized gas spring
- We can adapt lengths, forces, strokes, colour/finish and end fittings
- We also offer product types that are not represented in the standard selection



LESJÖFORS
SPRINGS & PRESSINGS

[Click to get Contact information](#)